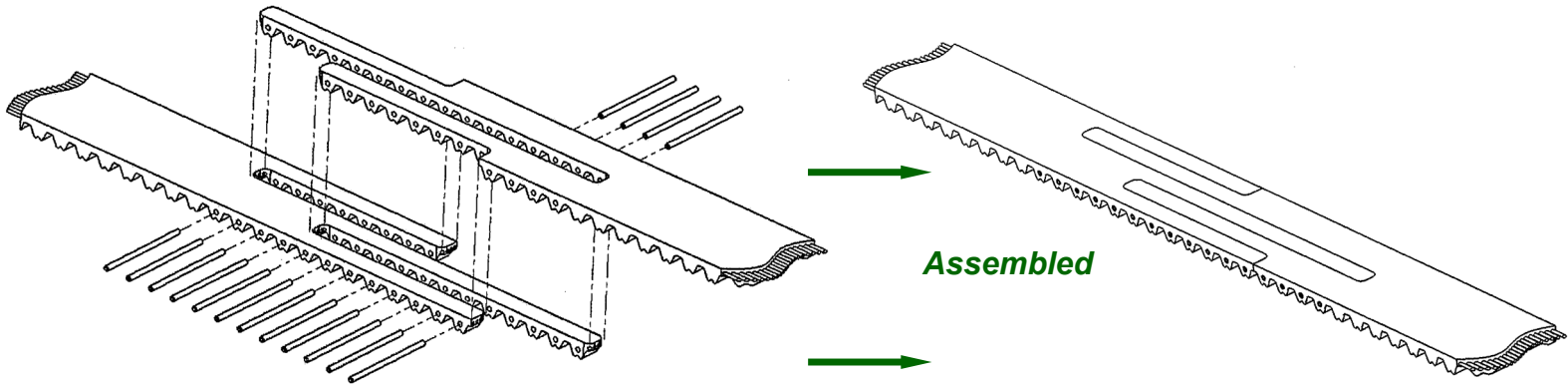


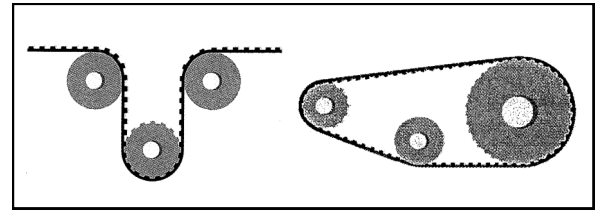
BPS Timing Belt Splice



Belt Ends Cut and Pins to be installed

Technical Features

- Allows very fast belts' replacement, directly on machinery.
- Reduced load capacity when compared to standard joined belts
- The back of the belt is virtually flat
- Max suggested speed is 120m/min.
- Minimum splice length of 700mm



Belt Pitch & Width	Belt Width (mm)	Splice Length (mm)	Max Static Load (N)	Splice Number of Fingers (nf)	Min. Internal Pulley (Zmin)	Min. Inside Idler (mm)	Min. Outside idler (mm)
T10-25	25	180	510	4	12	60	60
T10-32	32	220	660	5	12	60	60
T10-50	50	220	1,020	6	12	60	60
T10-50 w/ V-guide	50	220	760	5	25	80	80
T10-75	75	240	1,150	7	12	60	60
T10-100	100	320	1,530	9	12	60	60
T20-32	32	260	980	4	15	120	120
T20-50	50	320	1,530	4	15	120	120
T20-75	75	340	2,300	6	15	120	120
AT10-25	25	180	740	4	15	50	120
AT10-32	32	220	950	5	15	50	120
AT10-50	50	220	1,480	6	15	50	120
AT10-50 w/ V-guide	50	220	1,100	5	25	120	100
AT10-75	75	240	1,670	7	15	50	120
AT10-100	100	320	2,220	9	15	50	120
AT20-32	32	260	1,420	4	18	120	180
AT20-50	50	320	2,210	4	18	120	180
AT20-75	75	340	3,310	6	18	120	180
HTD8-20	20	128	540	4	20	Not possible	100
HTD8-30	30	176	810	5	20	Not possible	100
HTD8-50	50	176	1,340	6	20	Not possible	100
HTD8-85	85	192	1,710	7	20	Not possible	100
HTD8-100	100	256	2,010	9	20	Not possible	100
HTD14-55	55	180	2,725	4	26	120	180
RPP8-20	20	128	610	4	18	Not possible	100
RPP8-30	30	176	920	5	18	Not possible	100
RPP8-50	50	176	1,520	6	18	Not possible	100
RPP8-85	85	192	1,940	7	18	Not possible	100
RPP8-100	100	256	2,280	9	18	Not possible	100
H-200 w/ V-guide	50.8	152.4		5			

F.N. SHEPPARD & CO.
Belting Specialties

www.fnsheppard.com 800-733-5773

1261 Jamike Dr.
10924 Granite St. Ste 300
161 Pinnacle Dr.
10101 Bunsen Way
4070 State Road 91
Sales Offices:

Erlanger, KY
Charlotte, NC
Jackson, TN
Louisville, KY
Oshkosh, WI
Woodbury, NJ
Maple Grove, MN

859-525-2358 • Fax 859-525-8467
704-295-1040 • Fax 704-295-0145
731-427-7440 • Fax 731-423-3013
502-499-8599 • Fax 502-499-7330
920-233-7070 • Fax 920-233-7202
859-653-3857 • Fax 856-384-8415
859-250-2144